

Daikin Configurator v2.x.x

1. Introduction

The Daikin Configurator software is intended to be used in combination with the **EKPCCAB*** USB cable.

Information: The latest available Daikin Configurator software can be downloaded from the website:
<http://www.daikineurope.com/support-and-manuals/software-downloads/>

2. Features

2.1. General information

The Daikin Configurator can configure following appliances:

- The Daikin Altherma low temperature split units
- the VRV IV outdoor units.

2.2. Features without connection to the unit (offline)

- Depending on an appliance selection, settings files can be created.
- For each setting a help text description is available. The description is available in different languages:

1. English	11. Čeština	21. Български
2. Deutsch	12. Ελληνικά	22. Slovenčina
3. Français	13. Русский	
4. Nederlands	14. Dansk	
5. Español	15. Suomi	
6. Italiano	16. Hrvatski	
7. Português	17. Magyar	
8. Türkçe	18. Polski	
9. Svenska	19. Română	
10. Norsk	20. Slovenščina	

- The settings can be exported to a csv-file (csv = comma separated values). A *.csv file can be opened in excel.

2.3. Features when connected to the unit

- Auto-detect of unit type is possible.
- Upload: it is possible to modify settings and user interface languages (availability depending on unit type).
- Download: it is possible to download the settings from the unit and consult all settings on the PC screen. These settings include editable and read-only settings. Once the settings are downloaded it is possible to copy the editable settings to another same unit type.

3. Minimum PC requirements

- Windows XP (SP2), Windows Vista (SP2) or Windows 7 or Windows 8 & 8.1
- Microsoft .NET Framework 2.0 and 4.0
- Pentium III 400 MHz or faster
- Free USB 2.0 port, capable of supplying 50 mA current
- Minimum display resolution 1024x768

4. Summary of features of the different units:

4.1 Heating category

4.1.1 Daikin Altherma low temperature split units ("Heating\01")

	Subdirectory "My Documents\Configurator"
Until release v2.1.1	"Heating\EHVX-H_CA EHBX-H_CA"
From release v2.2.0 onwards	"Heating\01"

A. Models

- EHV(X/H)*CA*
- EHB(X/H)*CA*

B. Daikin Configurator functions

- Available settings:

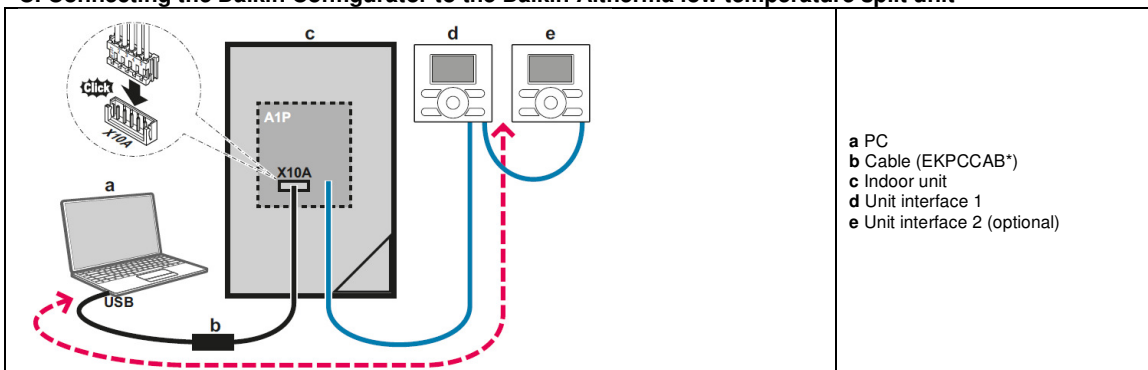
Menu	Menu settings implemented	Details
Home screen settings (e.g., desired temperature, ...)	No	
"1. Set time/date" menu	Yes	Not implemented: Date and Time settings. Implemented: Daylight saving time and clock type.
"2. Holiday" menu	No	
"3. Quiet mode" setting	Yes	
"4. Operation mode" setting	No	
"5. Select schedules" menu	Yes	
"6. Information" menu	No	Except: Contact/Helpdesk number setting.
"7. User settings" menu	Yes	Including schedule timers, ...
"A. Installer settings" menu	Yes	<ul style="list-style-type: none"> • All settings are implemented except: <ul style="list-style-type: none"> - A.2.1.B User interface location: Not implemented. - A.7 Commissioning menu: All submenus not implemented. Only: A.7.2 Set dryout schedule settings implemented. - A.8 Overview settings menu: All settings implemented. Only [A-xx] and [B-xx] outdoor codes not implemented. • Quick Wizard startup screen can be disabled/enabled.

- Changing the language on the user interface.

These languages are provided with the Daikin Configurator software.

	Language	Filename		Language	Filename
1	English	fw_wording_English_v1.00.bin	12	Ελληνικά	fw_wording_Greek_v1.00.bin
2	Deutsch	fw_wording_German_v1.00.bin	13	Русский	fw_wording_Russian_v1.00.bin
3	Français	fw_wording_French_v1.00.bin	14	Dansk	fw_wording_Danish_v1.00.bin
4	Nederlands	fw_wording_Dutch_v1.00.bin	15	Suomi	fw_wording_Finnish_v1.00.bin
5	Español	fw_wording_Spanish_v1.00.bin	16	Hrvatski	fw_wording_Croatian_v1.00.bin
6	Italiano	fw_wording_Italian_v1.00.bin	17	Magyar	fw_wording_Hungarian_v1.00.bin
7	Português	fw_wording_Portuguese_v1.00.bin	18	Polski	fw_wording_Polish_v1.00.bin
8	Türkçe	fw_wording_Turkish_v1.00.bin	19	Română	fw_wording_Romanian_v1.00.bin
9	Svenska	fw_wording_Swedish_v1.00.bin	20	Slovenščina	fw_wording_Slovenian_v1.00.bin
10	Norsk	fw_wording_Norwegian_v1.00.bin	21	Български	fw_wording_Bulgarian_v1.00.bin
11	Čeština	fw_wording_Czech_v1.00.bin	22	Slovenčina	fw_wording_Slovak_v1.00.bin

C. Connecting the Daikin Configurator to the Daikin Altherma low temperature split unit



- a PC
- b Cable (EKPCAB*)
- c Indoor unit
- d Unit interface 1
- e Unit interface 2 (optional)

4.1.2 Daikin Altherma Hybrid & Groundsource ("Heating\02")
(new in release v2.2.0)

A. Models

- EHYHBX-H_AA: Daikin Altherma hybrid heat pump
- EGSQH_AA: Daikin Altherma groundsource heat pump

B. Daikin Configurator functions

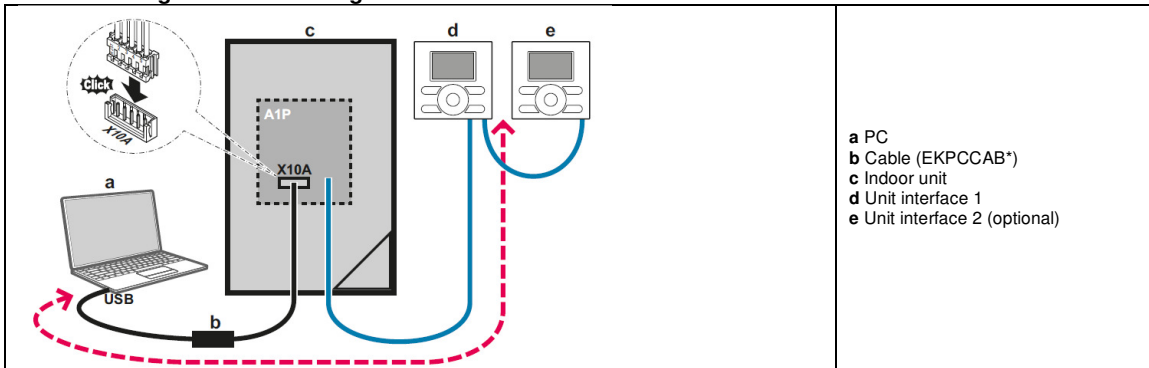
- Available settings:

Menu	Menu settings implemented	Details
Home screen settings (e.g., desired temperature, ...)	No	
"1. Set time/date" menu	Yes	Not implemented: Date and Time settings. Implemented: Daylight saving time and clock type.
"2. Holiday" menu	No	
"3. Quiet mode" setting	Yes	
"4. Operation mode" setting	No	
"5. Select schedules" menu	Yes	
"6. Information" menu	No	Except: Contact/Helpdesk number setting.
"7. User settings" menu	Yes	Including schedule timers, ...
"A. Installer settings" menu	Yes	<ul style="list-style-type: none"> • All settings are implemented except: <ul style="list-style-type: none"> - A.2.1.B User interface location: Not implemented. - A.7 Commissioning menu: All submenus not implemented. Only: A.7.2 Set dryout schedule settings implemented. - A.8 Overview settings menu: All settings implemented. Only [A-xx] and [B-xx] outdoor codes not implemented. • Quick Wizard startup screen can be disabled/enabled.

- Changing the language on the user interface.
These languages are provided with the Daikin Configurator software.

	Language	Filename		Language	Filename
1	English	fw_wording_English_v3.bin	12	Ελληνικά	fw_wording_Greek_v3.bin
2	Deutsch	fw_wording_German_v3.bin	13	Русский	fw_wording_Russian_v3.bin
3	Français	fw_wording_French_v3.bin	14	Dansk	fw_wording_Danish_v3.bin
4	Nederlands	fw_wording_Dutch_v3.bin	15	Suomi	fw_wording_Finnish_v3.bin
5	Español	fw_wording_Spanish_v3.bin	16	Hrvatski	fw_wording_Croatian_v3.bin
6	Italiano	fw_wording_Italian_v3.bin	17	Magyar	fw_wording_Hungarian_v3.bin
7	Português	fw_wording_Portuguese_v3.bin	18	Polski	fw_wording_Polish_v3.bin
8	Türkçe	fw_wording_Turkish_v3.bin	19	Română	fw_wording_Romanian_v3.bin
9	Svenska	fw_wording_Swedish_v3.bin	20	Slovenščina	fw_wording_Slovenian_v3.bin
10	Norsk	fw_wording_Norwegian_v3.bin	21	Български	fw_wording_Bulgarian_v3.bin
11	Čeština	fw_wording_Czech_v3.bin	22	Slovenčina	fw_wording_Slovak_v3.bin

C. Connecting the Daikin Configurator to the Daikin Altherma unit



4.2 Air Conditioning category

4.2.1 VRV IV outdoor units ("Air Conditioning\01\")

	Subdirectory "My Documents\Configurator"
Until release v2.1.1	"Air Conditioning\RYYQ_T RYMQ_T RXYQ_T"
From release v2.2.0 onwards	"Air Conditioning\01"

A. Models

- RYYQ*T*
- RYMQ*T*
- RXYQ*T*
- RXYQQ*T* (new in release v2.2.0)

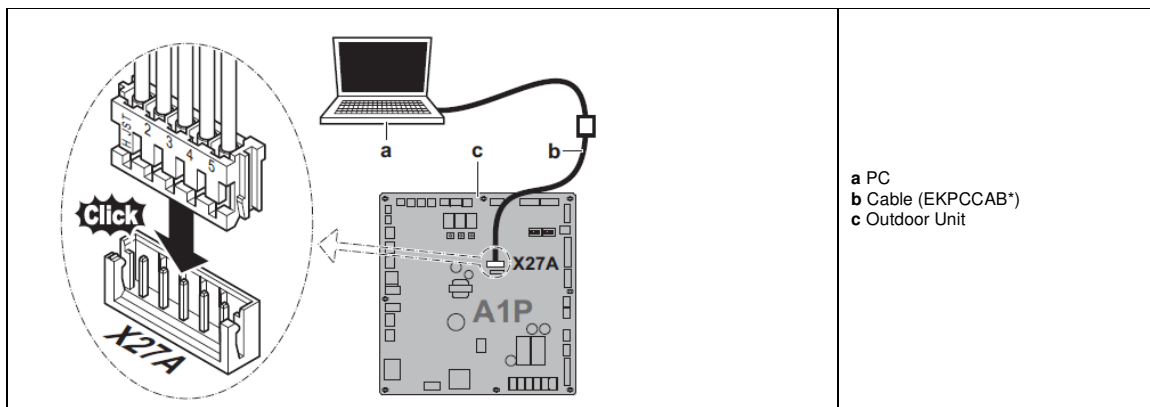
B. Daikin Configurator functions

- Available settings: The main settings that are used during commissioning of mode 1 (Read only) and mode 2 (Read/Write), are implemented.

Field code	Setting	Help text	R/W R/O	Default Value	RYYQ*T* RYMQ*T* RXYQ*T*	RXYQQ* T*
Mode 1					O= applicable	O= applicabl e
[1-0]	[1-0] Master/Slave1/Slave2	Shows whether the unit you check is a master, slave 1 or slave 2 unit	R/O		0	0
[1-10]	[1-10] # total connected indoor units	Shows the total number of connected indoor units	R/O		0	0
[1-13]	[1-13] # total connected outdoor units	Shows the total number of connected outdoor units	R/O		0	0
[1-17]	[1-17] Contents of malfunction (latest)	Shows the latest malfunction code	R/O		0	0
[1-18]	[1-18] Contents of malfunction (1 before)	Shows the 2nd last malfunction code	R/O		0	0
[1-19]	[1-19] Contents of malfunction (2 before)	Shows the 3rd last malfunction code	R/O		0	0
[1-20]	[1-20] Software number (based on Micon ID)	Software number (based on the Micon ID)	R/O		0	0
[1-21]	[1-21] HP code	Capacity code of the unit	R/O		0	0
[1-22]	[1-22] Software version	Software version	R/O		0	0
[1-23]	[1-23] Contents of retry (latest)	Latest system retry	R/O		0	0
[1-24]	[1-24] Contents of retry (1 before)	Previous system retry (1)	R/O		0	0
[1-25]	[1-25] Contents of retry (2 before)	Previous system retry (2)	R/O		0	0
[1-29]	[1-29] The leak detection refrigerant amount history (latest)	Shows the estimated leaked refrigerant amount (kg) based on the latest leak detection operation	R/O	[kg]	0	
[1-30]	[1-30] The leak detection refrigerant amount history (1 before)	Shows the estimated leaked refrigerant amount (kg) based on the 2nd last leak detection operation	R/O	[kg]	0	
[1-31]	[1-31] The leak detection refrigerant amount history (2 before)	Shows the estimated leaked refrigerant amount (kg) based on the 3rd last leak detection operation	R/O	[kg]	0	
[1-34]	[1-34] Days remaining till the next automatic leak detection operation	Shows the remaining days till the next automatic leak	R/O	[days]	0	
[1-35]	[1-35] Result of the last leak detection operation	Shows the result of the latest automatic leak detection	R/O		0	
[1-36]	[1-36] Result of the last leak detection operation (1 before)	Shows the result of the 2nd last automatic leak detection operation	R/O		0	
[1-37]	[1-37] Result of the last leak detection operation (2 before)	Shows the result of the 3rd last automatic leak detection operation	R/O		0	
[1-38]	[1-38] Number of connected RA DX indoor units	Shows the number of RA DX indoor units connected to the system	R/O		0	
[1-39]	[1-39] Number of connected hydrobox indoor units	Shows the number of hydroboxes indoor units connected to the system	R/O		0	
Mode 2						
[2-0]	[2-0] Cool / Heat selector setting	Cool/Heat selection setting	R/W	0: Individual	0	0
[2-1]	[2-1] Cool/Heat unified address	Cool/Heat selector unified address	R/W	0	0	0
[2-2]	[2-2] Low noise / demand address	Low noise demand / address	R/W	0	0	0
[2-8]	[2-8] Te target setting	Te target temperature during cooling operation	R/W	0 : Automatic	0	0
[2-9]	[2-9] Tc target setting	Tc target temperature during heating operation	R/W	0 : Automatic	0	0
[2-12]	[2-12] Low noise / demand setting	Low noise / demand activation setting	R/W	0 : OFF	0	0

		(under external control adaptor functionality)				
[2-13]	[2-13] Ainet address	Airnet address	R/W	0	○	○
[2-14]	[2-14] Charged refrigerant amount	Input additional refrigerant amount that was charged (required for automatic leak detection operation)	R/W	0 : OFF	○	
[2-18]	[2-18] High ESP setting FAN	Fan high static pressure setting	R/W	0 : OFF	○	○
[2-22]	[2-22] Low noise setting at night time	Automatic low noise setting and level during night time	R/W	0 : OFF	○	○
[2-25]	[2-25] Low noise setting (level)	Low noise operation level via the external control	R/W	2 : Level 2	○	○
[2-26]	[2-26] Start time low noise	Start time low noise operation	R/W	2 : 22:00	○	○
[2-27]	[2-27] End time low noise	Stop time low noise operation	R/W	3 : 08:00	○	○
[2-29]	[2-29] Capacity priority setting (over low noise)	Capacity priority setting over low noise (activation)	R/W	0 : OFF	○	○
[2-30]	[2-30] Level demand 1	Power consumption limitation level (step1) via the external control adaptor	R/W	3 : 70%	○	○
[2-31]	[2-31] Level demand 2	Power consumption limitation level (step 2) via the external control adaptor	R/W	1 : 40%	○	○
[2-32]	[2-32] Force demand set (no external PCB required)	Continuous demand operation activation	R/W	0 : OFF	○	○
[2-73]	[2-73] Indoor unit type which can be used (new in release v2.2.0)	Indoor unit type which can be used (only for RXYQQ*T*)	R/W	0: R410A VRV DX indoor units 1: non-R410A VRV DX units		○
[2-81]	[2-81] Cooling comfort setting	Cooling comfort setting	R/W	1 : Mild	○	○
[2-82]	[2-82] Heating comfort setting	Heating comfort setting	R/W	1 : Mild	○	○
[2-83]	[2-83] Master user interface setting	Master user interface allocation in case VRV DX indoor units and RA DX indoor units are used at the same time	R/W	1 : RA DX right for master	○	
[2-85]	[2-85] Interval timer for automatic leak detection function execution	Automatic leak detection interval timer	R/W	0 : 365 days	○	
[2-86]	[2-86] Automatic leak detection activation	Automatic leak detection activation	R/W	0 : OFF	○	
[2-88]	[2-88] Gathering detailed refrigerant information during test run.	Gathering detailed refrigerant information during test run.	R/W	0 : Active	○	

C. Connecting the Daikin Configurator to the VRV IV outdoor units



5. History

5.1 Configurator v1.x.x

Configurator v1.0.0.5	Appliance: Daikin Altherma low temperature split units • Feature: changing the language
-----------------------	--

5.2 Configurator v2.x.x

Configurator v2.0.0	Appliance: VRV IV outdoor units • Feature: configuration of the settings
Configurator v2.1.0	Same features as previous version. Added : Appliance: Daikin Altherma low temperature split units • Feature: changing the language • Feature: configuration of the settings
Configurator v2.1.1	Same features as previous version. Added latest compatible unit software releases to configurator database. (VRV IV outdoor units: ID3028) (Daikin Altherma low temperature split units (CA): ID3866)
Configurator v2.2.0	Same features as previous version. Database modifications: • Added latest compatible unit software release (VRV IV outdoor units: ID3150&ID3297 & Altherma LT CA userinterface software v1.09.00) • Added new compatible units: VRV IV-Q, Replacement VRV • Modification: Renamed "My documents\Configurator subdirectories "Air Conditioning\RYYQ_T RYMQ_T RXYQ_T" replaced by "Air Conditioning\01" "Heating\EHVX-H_CA EHBX-H_CA" replaced by "Heating\01" • Improvement: USB driver installation updated • Improvement in edit setting window: - for airconditioning unit type display added - for heating schedule timer improved (cancel button added, etc...) - a dwn file should first be stored as a set file before it is possible to edit - add a button to be able to set/ignore all settings at once <div style="border: 1px solid black; padding: 5px; margin: 10px 0;"> <p>• Caution: Upload settings files (*.set & *.dwn) created with previous configurator versions: First the setting files should be opened and saved again in edit setting window. After this, the setting file can be uploaded again with configurator v2.2.0</p> </div> • Prepared for new compatible units Altherma Hybrid & Groundsource Caution: Configurator will only be compatible with Altherma Hybrid & Groundsource <i>existing</i> software ID3F94 & <i>planned</i> user interface software (v01.14.00 = available from middle of February 2014 onwards) Units with older software should first be updated before to use configurator.
Configurator v2.3.0	Same features as previous version. • PC compatibility: From this version onwards Microsoft .NET FrameWork 4.0 (=".NET 4.0") is required Additionally compatible with Windows 8 & 8.1 • Installation improvements and modifications: - The configurator package is modified to an executable (exe) - Automatic un-install previous configurator installation. - Fixed installation in local app data folder of user (previously installed in program files folder) - Prepared for future releases: no admin rights needed during installation of a newer release (Only in case USB driver and necessary .NET are already installed.) - During installation .NET 4.0 detection is executed and in case not present the download from internet is initiated from the Microsoft server (if internet connection is available) • Automatic notification of new configurator releases: - Checked at each startup of configurator (only in case internet connection is available) - In case a new configurator release is available the internet download address is shown. • Database updates: - Added latest compatible unit software releases to configurator database: "Heating\01: Altherma low temperature split units (CA) hydro software: ID42E0 "Heating\02: Altherma Hybrid & Groundsource hydro software: ID42F1 • Notes: - Compatible Altherma CA models: For EHVH04S18CA3VF please select EHVH04S18CA3 For EHVH08S18CA3VF please select EHVH08S18CA3 - Compatible Hybrid models: For EHYHBH05AAV32 please select EHYHBH05AAV3 For EHYHBH08AAV32 please select EHYHBH08AAV3